

REPAIR PARTS

3 and 3.5 Ton A SERIES Air Handler w/Coil

A36-05
A36-05C
A36-06
A36-08
A36-08C
A36-10
A36-10C
A36-15
A36-20
A42-08C
A42-10
A42-10C
A42-15
A42-20

Goodman Manufacturing Company, L.P.
5151 San Felipe, Suite 500
Houston, TX 77056



www.goodmanmfg.com

RP-514
May 2008

Important Information

Index

Functional Parts List	3
Illustration and Parts	4 - 5

Views shown are for parts illustrations only, not servicing procedures.

Text Codes:

AR - As Required

NA - Not Available

NS - Not Shown

00000000 - See Note

QTY - Quantity Example (QTY 3) (If Quantity not shown, Quantity = 1)

M - Model Example (M1) (If M Code not shown, then part is used on all Models)

Expanded Model Nomenclature:

Example
M1 - Model#1
M2 - Model#2
M3 - Model#3

Goodman Manufacturing Company, L.P. is not responsible for personal injury or property damage resulting from improper service. Review all service information before beginning repairs.

Warranty service must be performed by an authorized technician, using authorized factory parts. If service is required after the warranty expires, Goodman Manufacturing Company, L.P. also recommends contacting an authorized technician and using authorized factory parts.

Goodman Manufacturing Company, L.P. reserves the right to discontinue, or change at any time, specifications or designs without notice or without incurring obligations.

For assistance within the U.S.A. contact:
Consumer Affairs Department
Goodman Manufacturing Company, L.P.
7401 Security Way
Houston, Texas 77040
877-254-4729-Telephone
713-863-2382-Facsimile

For assistance outside the U.S.A. contact:
International Division
Goodman Manufacturing Company, L.P.
7401 Security Way
Houston, Texas 77040
713-861-2500-Telephone
713-863-2382-Facsimile

Functional Parts

Part

No: **Description:**

B1370738	24V TIME DELAY RELAY
B13400353S	BLOWER MOTOR 1/2 HP, DIRECT DRIVE (M10, M11, M12, M13, M14)
B13400312S	BLOWER MOTOR 1/3 HP, DIRECT DRIVE (M1, M2, M3, M4, M5, M6, M7, M8, M9)
CAP125000370RPS	CAPACITOR 12.5/370V (M10, M11, M12, M13, M14)
CAP075000370VAS	CAPACITOR 7.5/370V (M1, M2, M3, M4, M5, M6, M7, M8, M9)
B1141643	TRANSFORMER 208/230, 24V

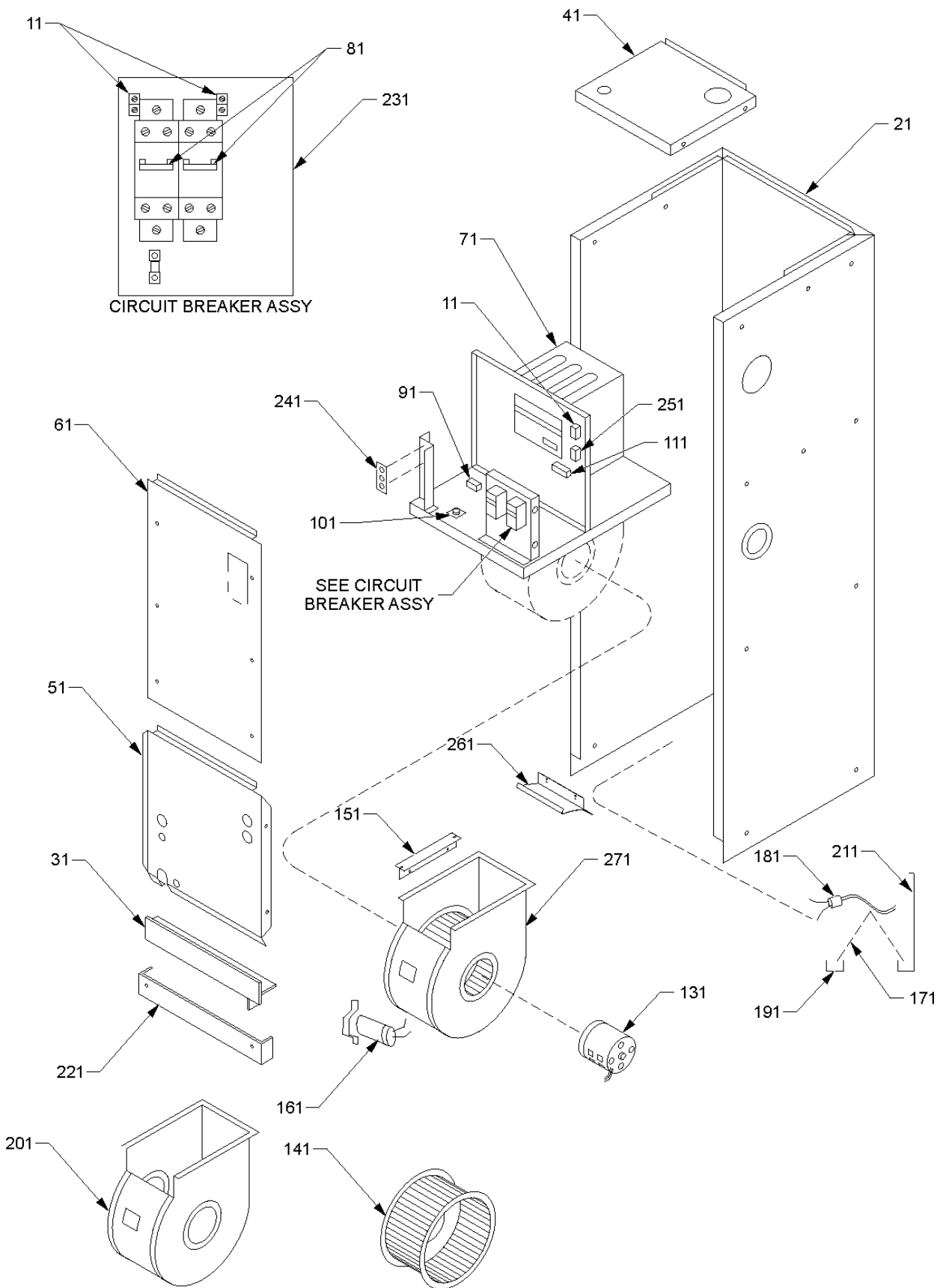
SPECIAL PARTS

RP-514 REPAIR PARTS MANUAL

Expanded Model Nomenclature

M1 - A36-05
M2 - A36-05C
M3 - A36-06
M4 - A36-08
M5 - A36-08C
M6 - A36-10
M7 - A36-10C
M8 - A36-15
M9 - A36-20
M10 - A42-08C
M11 - A42-10
M12 - A42-10C
M13 - A42-15
M14 - A42-20

Replacement Parts List



Replacement Parts List

Ref. Part No:	No:	Description:	Ref. Part No:	No:	Description:														
<i>Image 1:</i>			241	B1368248	TERMINAL BLOCK (LOW VOLTAGE) (M8, M9, M13, M14)														
11	B1378533	GROUND LUG	251	B1368250	TERMINAL BLOCK (HIGH VOLTAGE) (M1, M3, M4, M6, M11)														
21	1721116	WRAPPER	261	764734	BLOWER MOUNTING ANGLE														
31	1721913	BOTTOM TIE CHANNEL	NS	RP-514	REPAIR PARTS MANUAL														
41	1721908	UPPER TIE PLATE	Expanded Model Nomenclature																
51	1722056P	LOWER ACCESS PANEL	<table border="1"> <tr><td>M1 - A36-05</td></tr> <tr><td>M2 - A36-05C</td></tr> <tr><td>M3 - A36-06</td></tr> <tr><td>M4 - A36-08</td></tr> <tr><td>M5 - A36-08C</td></tr> <tr><td>M6 - A36-10</td></tr> <tr><td>M7 - A36-10C</td></tr> <tr><td>M8 - A36-15</td></tr> <tr><td>M9 - A36-20</td></tr> <tr><td>M10 - A42-08C</td></tr> <tr><td>M11 - A42-10</td></tr> <tr><td>M12 - A42-10C</td></tr> <tr><td>M13 - A42-15</td></tr> <tr><td>M14 - A42-20</td></tr> </table>			M1 - A36-05	M2 - A36-05C	M3 - A36-06	M4 - A36-08	M5 - A36-08C	M6 - A36-10	M7 - A36-10C	M8 - A36-15	M9 - A36-20	M10 - A42-08C	M11 - A42-10	M12 - A42-10C	M13 - A42-15	M14 - A42-20
M1 - A36-05																			
M2 - A36-05C																			
M3 - A36-06																			
M4 - A36-08																			
M5 - A36-08C																			
M6 - A36-10																			
M7 - A36-10C																			
M8 - A36-15																			
M9 - A36-20																			
M10 - A42-08C																			
M11 - A42-10																			
M12 - A42-10C																			
M13 - A42-15																			
M14 - A42-20																			
61	1722006P	UPPER ACCESS PANEL (M1, M3, M4, M6, M11)																	
61	1722021P	UPPER ACCESS PANEL (M8, M9, M13, M14)																	
61	1722034P	UPPER ACCESS PANEL (M2, M5, M7, M10, M12)																	
71	B1037488S	HEATER W/LIMIT SWITCH 10 KW 230V (M6, M7, M11, M12)																	
71	B1037489S	HEATER W/LIMIT SWITCH 15 KW 230V (M8, M9, M13, M14)																	
71	B1037485S	HEATER W/LIMIT SWITCH 5 KW 230V (M1, M2, M9, M14)																	
71	B1037486	HEATER W/LIMIT SWITCH 6 KW 230V (M3)																	
71	B1037487S	HEATER W/LIMIT SWITCH 7.5 KW 230V (M4, M5, M10)																	
81	CBK2PD240VA030S	CIRCUIT BREAKER 30 AMP (ITE) (M2, M8, M13)																	
81	CBK2PD240VA040S	CIRCUIT BREAKER 40 AMP (ITE) (M5, M10)																	
81	CBK2PD240VA060S	CIRCUIT BREAKER 60 AMP (ITE) (M7, M9, M12, M13, M14)																	
91	B1256553	SEQUENCER 12 -15 KW (M8, M13)	<p>ORDER B1368042 BLOWER WHEEL FOR A36 UNITS BUILT BEFORE 12/1987; SERIAL DATE CODE (8712). ORDER 158542636NS SERVICE COIL FOR UNITS PRODUCED BEFORE 12/1987; SERIAL DATE CODE (8712). EFFECTIVE 4/1998: WHEN ORDERING SERVICE COIL ASSY, ALSO ORDER THE CORRESPONDING LOWER ACCESS PANEL. ORDER 1717104 BLOWER MTG ANGLE FOR UNITS BUILT BEFORE 9/1999.</p>																
91	B1256551	SEQUENCER 5 KW (M1, M2)																	
91	B1256552	SEQUENCER 8 - 10 KW (M3, M4, M5, M6, M7, M10, M11, M12)																	
91	B1256554	SEQUENCER A48/60 20 KW (M9, M14)																	
101	B1370738	24V TIME DELAY RELAY																	
111	B1141643	TRANSFORMER 208/230, 24V																	
131	B13400353S	BLOWER MOTOR 1/2 HP, DIRECT DRIVE (M10, M11, M12, M13, M14)																	
131	B13400312S	BLOWER MOTOR 1/3 HP, DIRECT DRIVE (M1, M2, M3, M4, M5, M6, M7, M8, M9)																	
141	B1368036S	BLOWER WHEEL 9 X 8																	
151	1717107	BLOWER MOUNTING ANGLE (QTY 2)																	
161	CAP125000370RPS	CAPACITOR 12.5/370V (M10, M11, M12, M13, M14)																	
161	CAP075000370VAS	CAPACITOR 7.5/370V (M1, M2, M3, M4, M5, M6, M7, M8, M9)																	
171	P1400U36H	SERVICE COIL ASSY COMPLETE (M1, M2, M3, M4, M5, M6, M7, M8, M9)																	
171	P1400U42H	SERVICE COIL ASSY COMPLETE (M10, M11, M12, M13, M14)																	
181	B1314471	FLOWRATOR .071 (M1, M2, M3, M4, M5, M6, M7, M8, M9)																	
181	B1313680	FLOWRATOR .080 (M10, M11, M12, M13, M14)																	
191	B1755917H	VERTICAL/DOWNFLOW DRAIN PAN ASSY																	
201	1839304S	BLOWER SHELL ASSEMBLY																	
211	B1755930L	HORIZONTAL DRAIN PAN ASSY																	
221	1722041	FILTER COVER																	
231	1495206	CIRCUIT BREAKER PLATE (M2, M5, M7, M8, M9, M10, M12, M13, M14)																	